

Photographs

Start of test



After 10 minutes

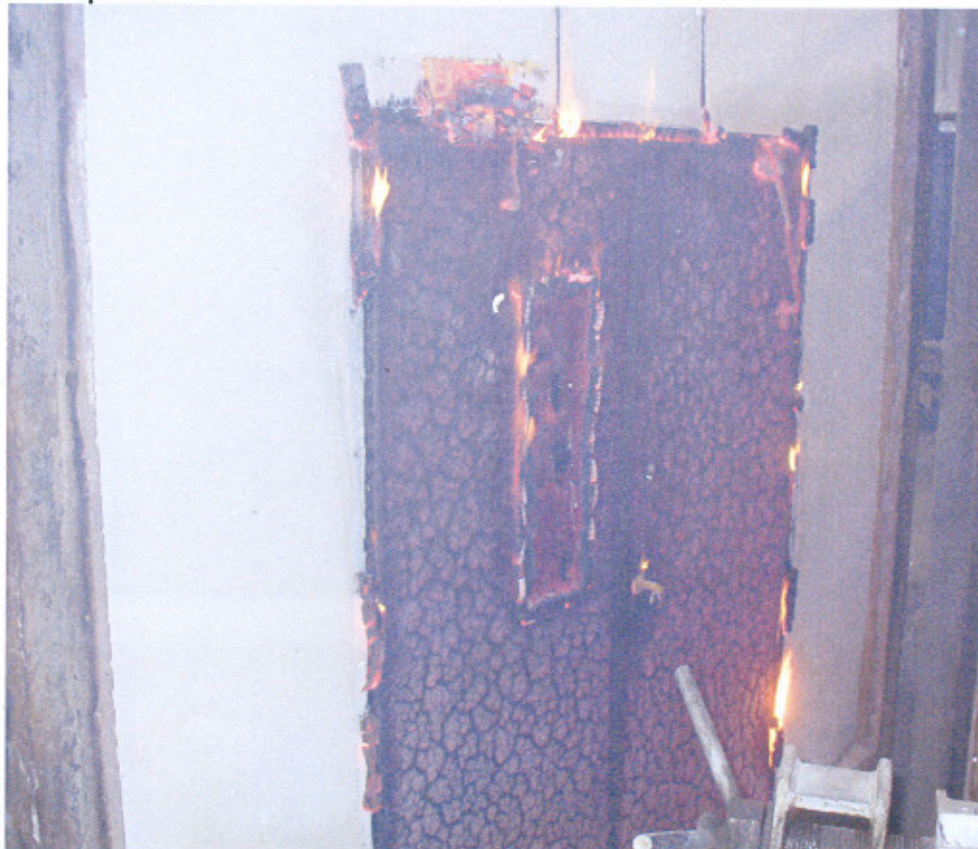


The legal validity of this report can only be claimed on presentation of the complete report.

After 40 minutes



Post test – exposed face



The legal validity of this report can only be claimed on presentation of the complete report.

Intumescent materials

		Make/type	Size (mm)	Location	Key to figures
Door edges	Vertical edge – right leaf only	2No Mann McGowan Pyrostrip 500 FPSA	10 x 4	Fitted centrally, 10mm apart on the meeting edge of the right leaf	4
Frame reveal	Head and jambs	Mann McGowan Pyrostrip 500 FPSA	15 x 4	Fitted centrally in the frame reveal	5
Around hinges		Fully interrupted	-	Hinge blade fully interrupts seal on frame	-
Under hinge blade		Mann McGowan Pyrostrip 300 ISA	1 thick	Fitted under the hinge blades on frame and jamb	-
Encasing latch body		Mann McGowan Pyrostrip 300 ISA	1 thick	Fitted around the body of the latch	-
Under latch forend		Mann McGowan Pyrostrip 300 ISA	1 thick	-	-
Around latch keep		Partially interrupted	-	Latch keep partially interrupts both seals leaving 5mm of each continuous	-
Under latch keep		Mann McGowan Pyrostrip 300 ISA	1 thick	Fitted under the latch keep	-
Glazing perimeter		Mann McGowan Pyroglaze 30	10 x 2	Fitted between the glass and bead on both faces	6

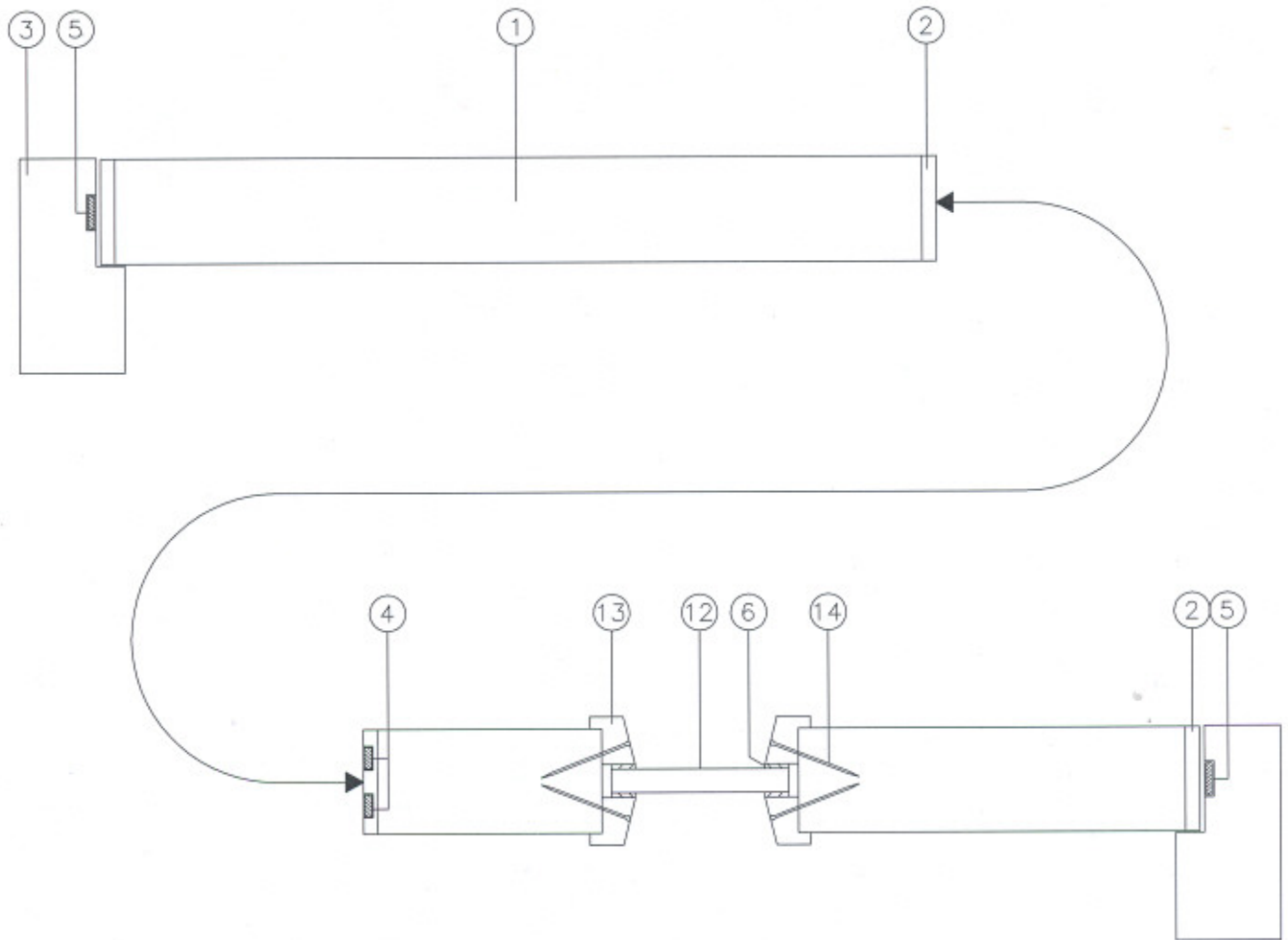
* Information provided by the client and not verified by CIFL

Hardware

		Make/type	Size (mm)	Location	Key to figures
Hinges		Royde and Tucker H103 Hi-Load butt type hinges	101 x 32 (blade size)	Fitted 148mm, 930mm and 1710mm from the head of the leaf	7
Closer	Left leaf	GU BKS OTS 200 overhead type closer	195 x 50 (footprint)	Fitted on the exposed face as per the manufacturers instructions	8
	Right leaf	GU BKS Swing Master DTL overhead type closer	545 x 105 (footprint)	Fitted on the exposed face as per the manufacturers instructions	9
Latch - disengaged		BKS 2450 lock/latch	235 x 20 (forend size)	Fitted 1135mm from the head of the leaf	10
Furniture		IH19-12 lever type door handle	Ø 52mm (rose size)	Fitted appropriate to the latch	11

The legal validity of this report can only be claimed on presentation of the complete report.

Section A-A



Chiltern House, Stocking Lane, Hughenden Valley
High Wycombe, Buckinghamshire, HP14 4ND, UK.
Tel: +44 (0)1494 569800 Fax: +44 (0)1494 564895

Title

Horizontal cross sections

Date Drawn

14/05/08

Drawn By

ARD

Scale

NTS

Project No.

Chilt/RF08014

Appendix



Chiltern House Stocking Lane Hughenden Valley
High Wycombe Buckinghamshire HP14 4ND UK

t +44 (0) 1494 569800 f +44 (0) 1494 564895
e cif@chilternfire.co.uk w www.chilternfire.co.uk

CONFIDENTIAL

Test Report : Chilt/RF08014

**A fire resistance test performed on a double leaf
single acting doorset with glazing**

**Test conducted in accordance with BSEN 1634-1: 2000
and BSEN 1363-1: 1999**

Test Date: 2 April 2008

Test for : Mann McGowan Fabrications Ltd
Unit 4, Brook Trading Estate
Deadbrook Lane
Aldershot
Hampshire
GU12 4XB

Page 1 of 20

Notified laboratory number 1314

Opinions and interpretations expressed herein are outside the scope of UKAS accreditation

This document is confidential and remains the property of Chiltern International Fire Ltd

The legal validity of this report can only be claimed on the presentation of the complete report.



No. 1762